



Twilight^{V2} FLD

The Twilight range offers unrivalled performance, utilising the latest low light Sony image processors...



water resistant



weather proof



double glass



day/night



infra red



night vision

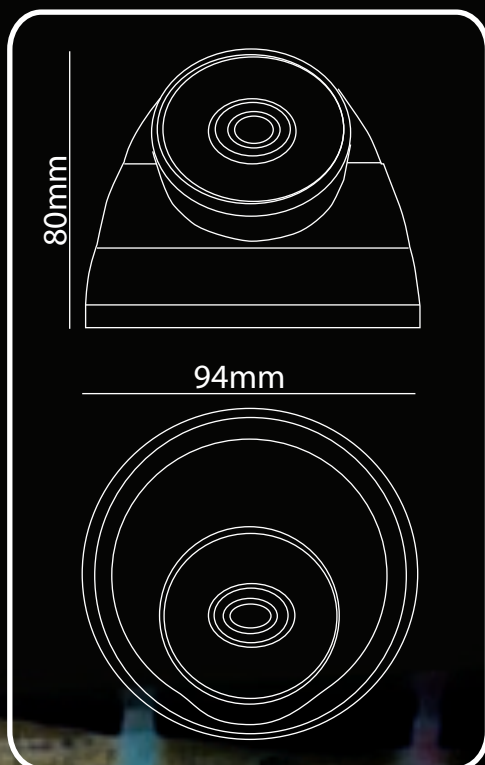


vandal proof

PRODUCT FEATURES:

- Sony HQ1 540 TVL, Sony DSP
- Strong IR Illuminators 20M IR
- 3.6mm wide lens
- Split Glass Technology
- Extremely Clear images in Low Light. 0 Lux

DIMENSIONS



SPECIFICATION

Model	TWILIGHT FL
Image Processor	SONY HQ1
Imaging device	SONY 1/3" CCD
Pixels	PAL:795x596
Horizontal Resolution	540TVL
TV System	PAL
Level Synchronization frequency	PAL:15.625KHZ
Clock frequency	PAL:19.3125
Scanning frequency	2:1 interlace
Minimum Illumination	0.1LUX (IR on)
Sync.System	Internal Synchronization
S/N Ratio	48 dB
Electronic Shutter	PAL:1/50-1/100,000sec
Gamma Correction	0.45
Video Output	1 Vpp,75 Ohms
AGC	Auto
Night vision	23pcs (20m)
Power supply	12VDC(+/-10%)
Current	300mA
Dimensions	80(H)x94(D) mm
Weight	0.37Kg
Operating temperature	-10-45°C
Colour	Dark Gray/ White

'Twilight FLD - The Best Compact Versatile IR Dome Camera'